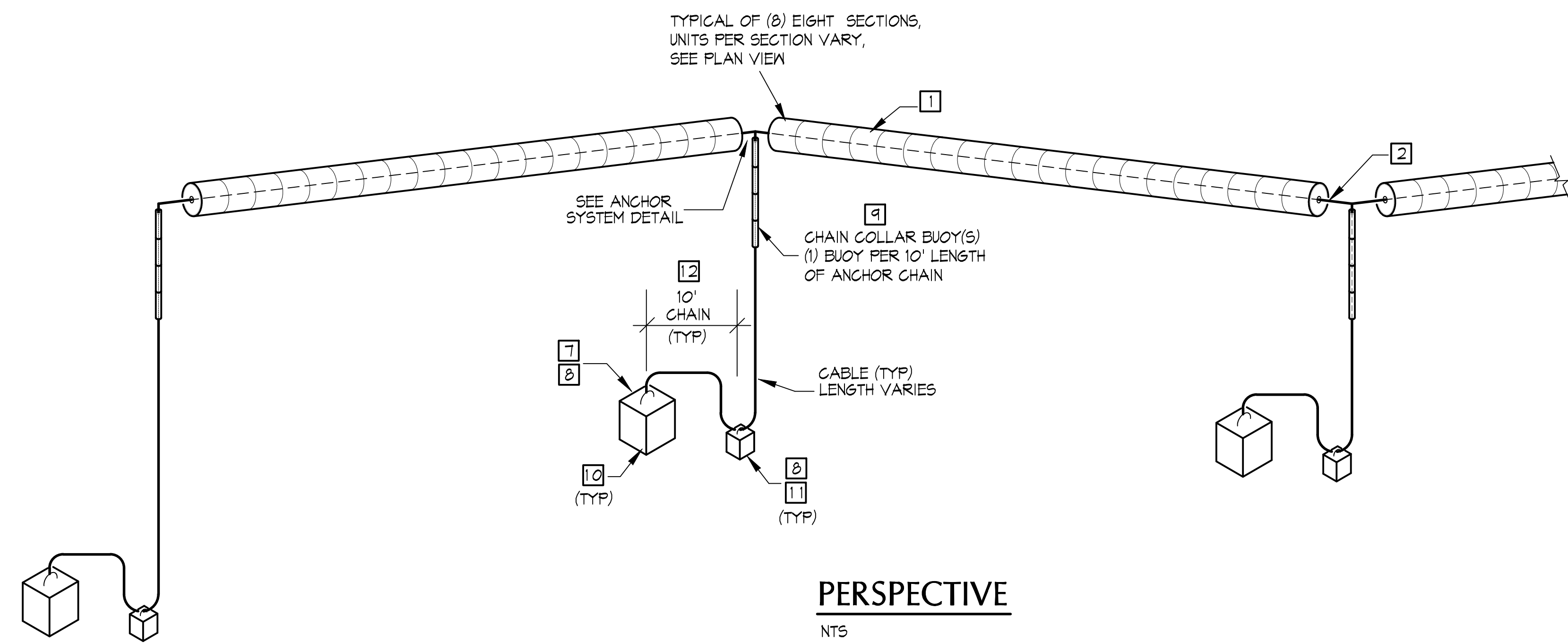
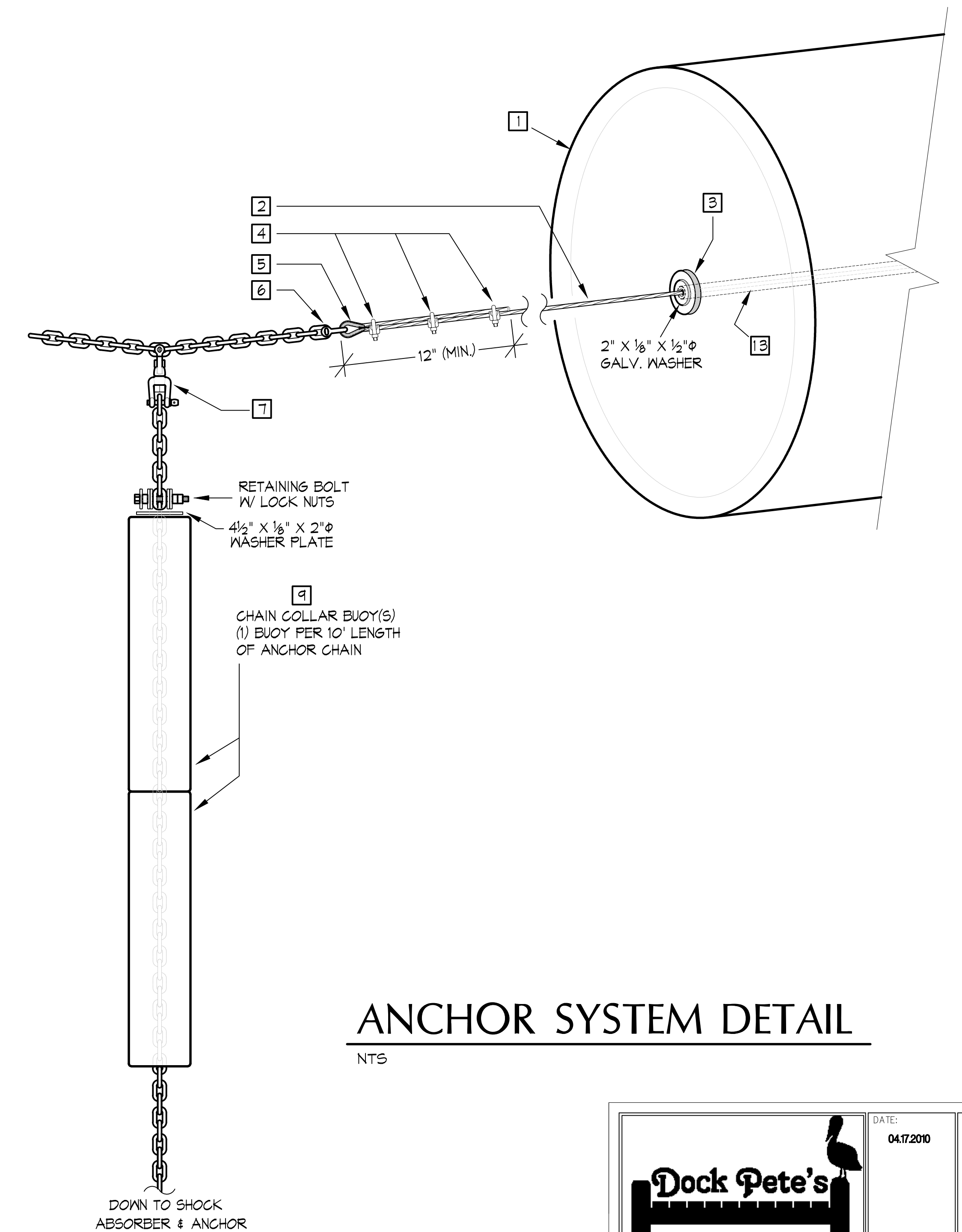


PLAN VIEW
1"=20'-0"

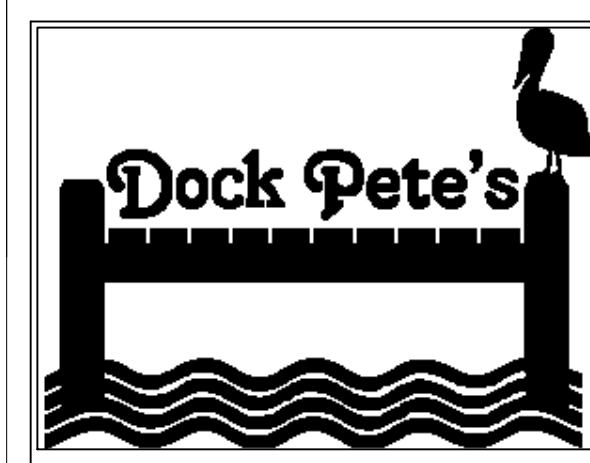


PERSPECTIVE
NTS

BILL OF MATERIALS				
ITEM	QTY	PART #	DESCRIPTION	REMARKS
1	156	WE-3636	36" X 36" WAVE EATER	
2	600	CG-012531	1/2" NYLON JACKETED CABLE	AS REQUIRED
3	18	CG-0350	3.5" DELRIN SPACERS	WEAR PLATE FOR SPICED CABLE
4	60	SD-159510	1/2" WIRE ROPE CLIP	USE 3 AT EVERY CABLE SPLICE; PLACE LIVE CABLE END IN ROPE CLIP SADDLE
5	18	SD-170009	1/2" GALVANIZED THIMBLE	USE 1 AT EVERY CABLE SPLICE
6	9	SD-147062	1/2" GALVANIZED BOW SHACKLE	CONNECTOR FROM CHAIN TO ANCHOR
7	9	SD-182312	1/2" STAINLESS STEEL SWIVEL SHACKLE	
8	9	SD-147060	7/16" GALVANIZED BOW SHACKLE	CONNECTOR FROM CHAIN TO ANCHOR
9	9	CW-CABK-125	CHAIN ANCHOR BUOY	
10	AS REQD		600 LB+ CONCRETE ANCHOR	
11	AS REQD		50 LB CONCRETE SHOCK ABSORBER	
12	500	GC-40601	3/8" GALVANIZED CHAIN	AS REQUIRED
13	500		1" POLY PIPE	RUN THROUGH CENTER OF WAVE EATERS AS BEARING FOR CABLE



ANCHOR SYSTEM DETAIL
NTS



DATE: 04/7/2010	PROJECT: LAKE KAWAEB DAM SPILLWAY WAVE ATTENUATOR
SCALE: AS NOTED	DRAWING: A1
CHECKED BY: PWO	DRAWN BY: BKT

Fort Collins, Colorado
970-282-4406
Copyright © All Rights Reserved, Dock Pete's, 2008