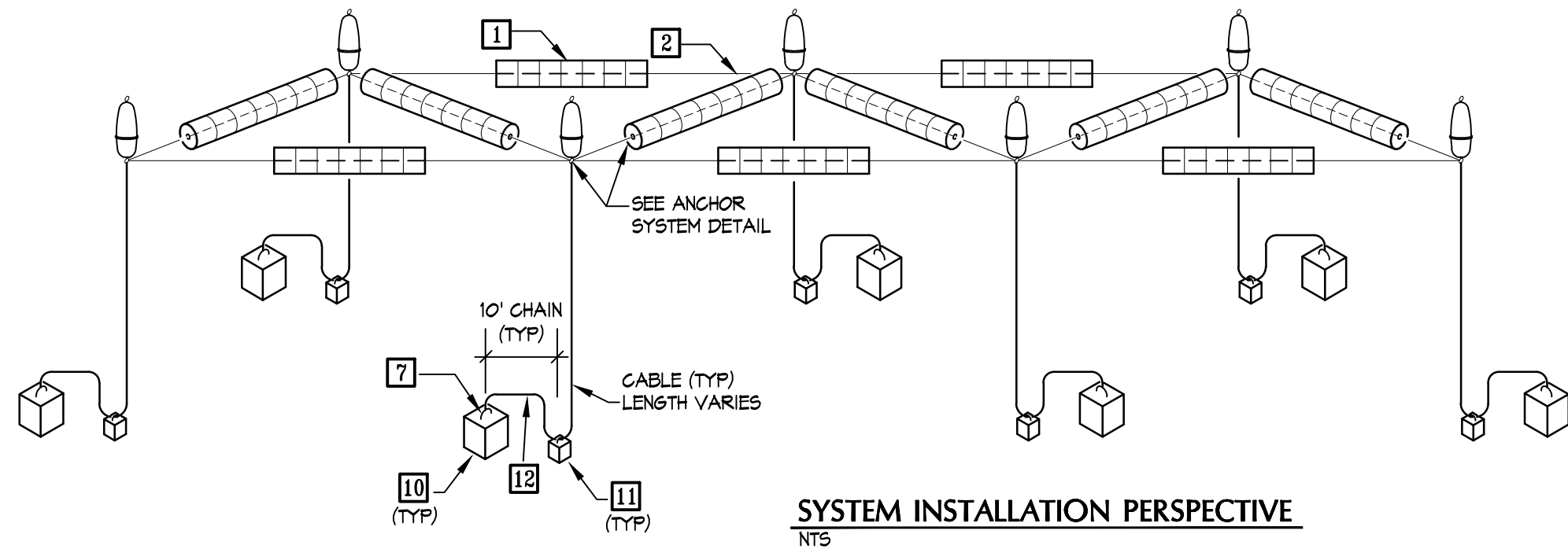
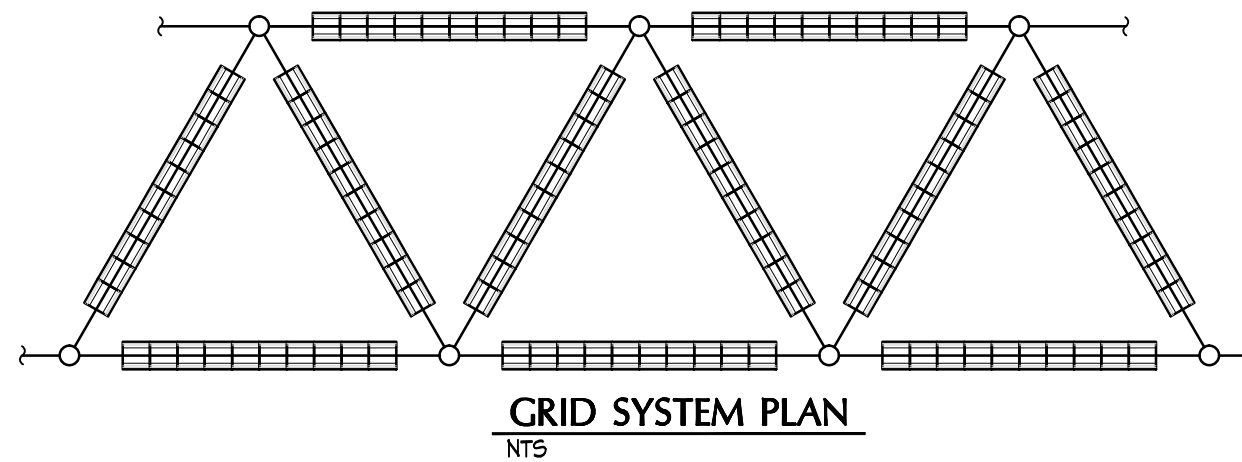
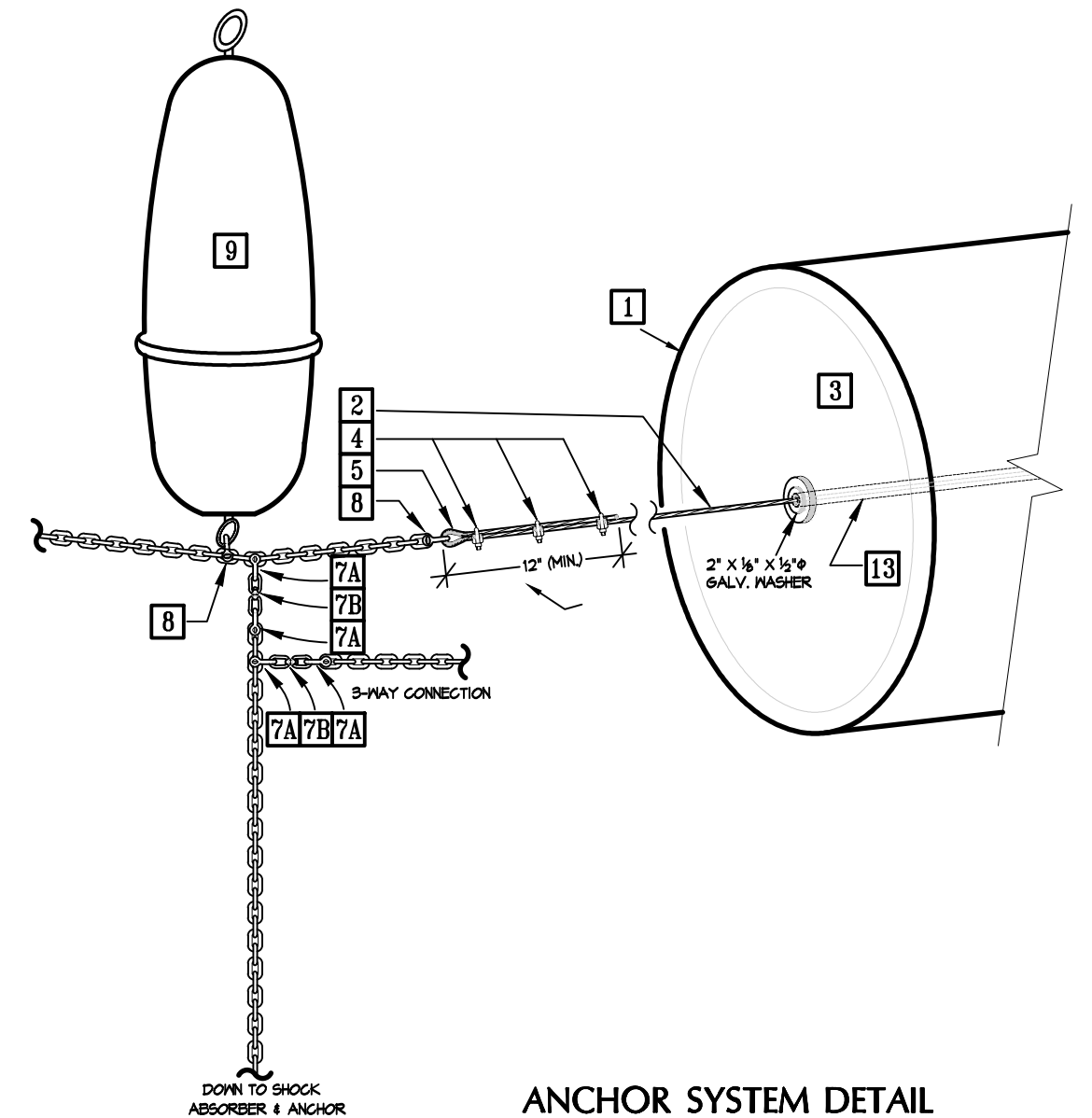


| BILL OF MATERIALS | | | | |
|-------------------|-----|-------------|-------------------------------------|--|
| ITEM | QTY | PART # | DESCRIPTION | REMARKS |
| 1 | TBD | WE-3636 | 36" X 36" WAVE EATER | |
| 2 | TBD | CG-012581 | 1/2" NYLON JACKETED CABLE | AS REQUIRED |
| 3 | TBD | CG-0350 | 3.5" DELRIN SPACERS | WEAR PLATE FOR SPLICED CABLE |
| 4 | TBD | SD-159510 | 1/2" WIRE ROPE CLIP | USE 3 AT EVERY CABLE SPLICE; PLACE "LIVE CABLE END IN ROPE CLIP SADDLE |
| 5 | TBD | SD-170009 | 1/2" GALVANIZED THIMBLE | USE 1 AT EVERY CABLE SPLICE |
| 6 | TBD | SD-147062 | 1/2" GALVANIZED BOW SHACKLE | CONNECTOR FROM CHAIN TO ANCHOR |
| 7 | TBD | SD-182312 | 1/2" STAINLESS STEEL SWIVEL SHACKLE | |
| 8 | TBD | SD-147060 | 7/16" GALVANIZED BOW SHACKLE | CONNECTOR FROM CHAIN TO ANCHOR |
| 9 | TBD | CW-CABK-125 | CHAIN ANCHOR BUOY | |
| 10 | TBD | | 600 LB+ CONCRETE ANCHOR | |
| 11 | TBD | | 50 LB CONCRETE SHOCK ABSORBER | |
| 12 | TBD | GC-40601 | 3/8" GALVANIZED CHAIN | AS REQUIRED |
| 13 | TBD | | 1" POLY PIPE | RUN THROUGH CENTER OF WAVE EATERS AS BEARING FOR CABLE |



WaveEater
Grid System Design,
Construction and Components