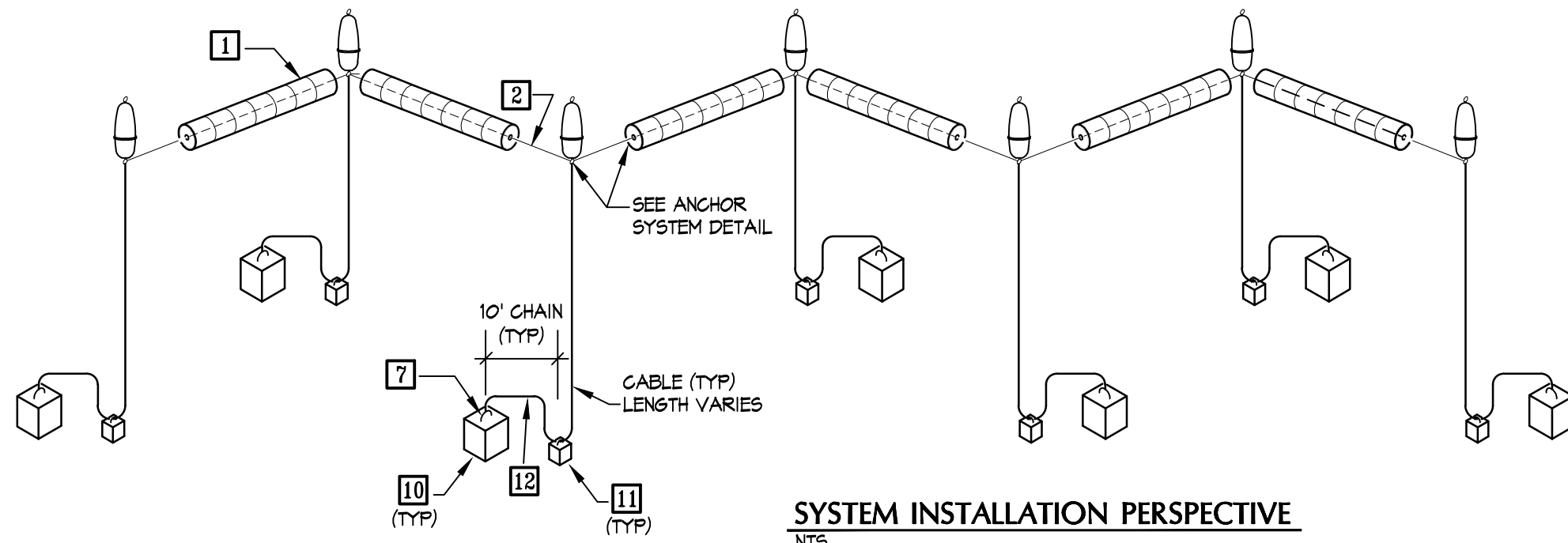
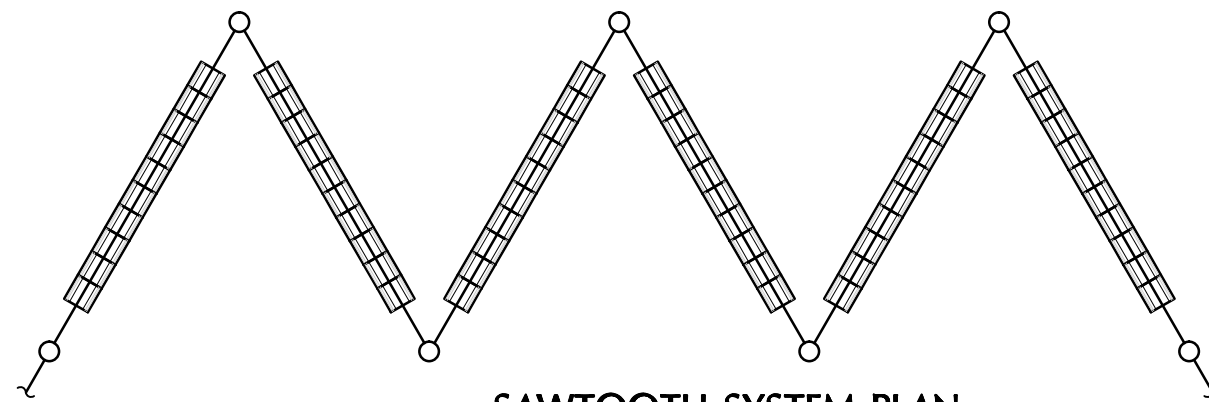
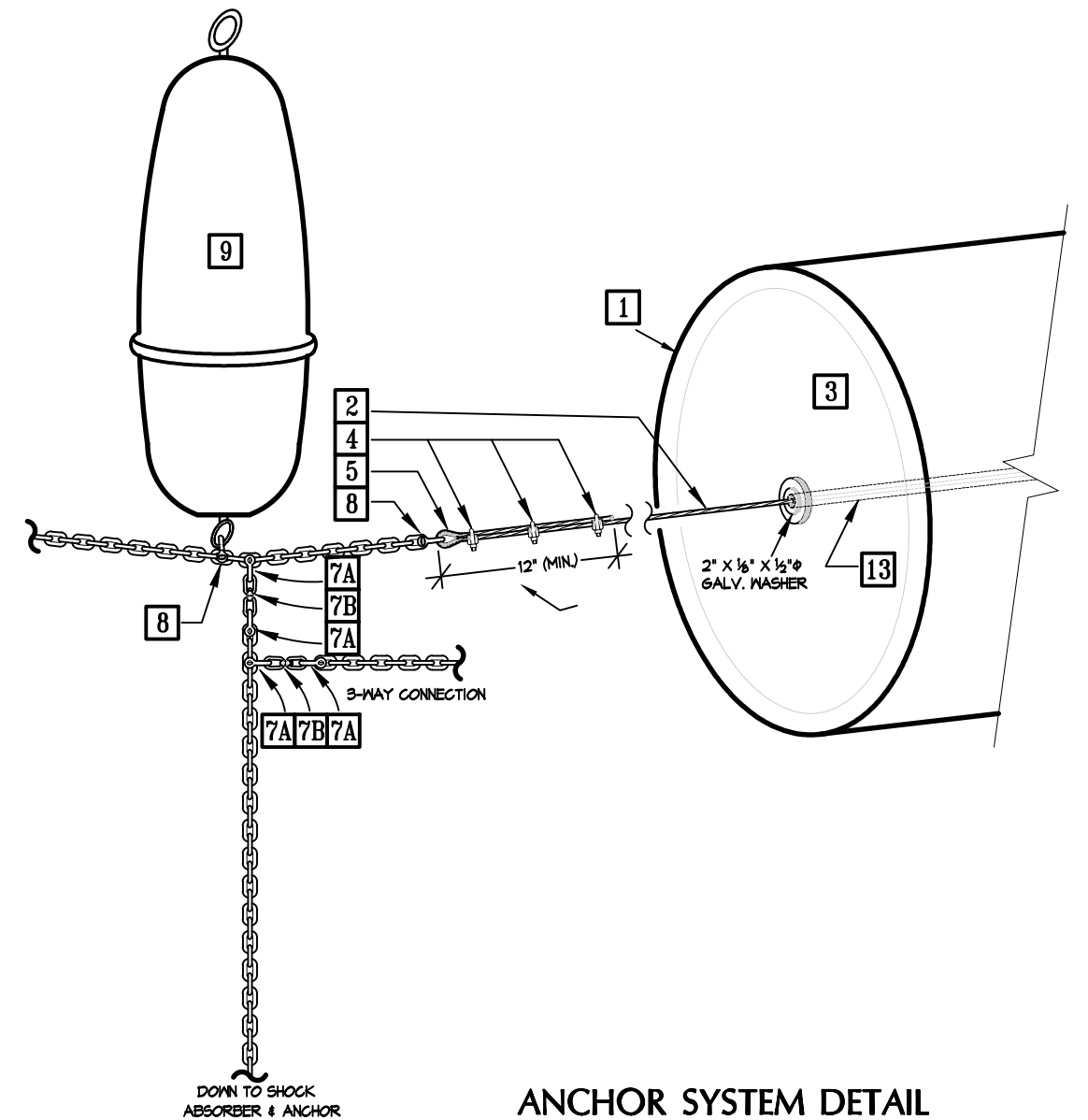


## BILL OF MATERIALS

ITEM	QTY	PART #	DESCRIPTION	REMARKS
1	TBD	WE-3636	36" X 36" WAVE EATER	
2	TBD	CG-012581	1/2" NYLON JACKETED CABLE	AS REQUIRED
3	TBD	CG-0350	3.5" DELRIN SPACERS	WEAR PLATE FOR SPLICED CABLE
4	TBD	SD-159510	1/2" WIRE ROPE CLIP	USE 3 AT EVERY CABLE SPLICE; PLACE "LIVE CABLE END IN ROPE CLIP SADDLE
5	TBD	SD-170009	1/2" GALVANIZED THIMBLE	USE 1 AT EVERY CABLE SPLICE
6	TBD	SD-147062	1/2" GALVANIZED BOW SHACKLE	CONNECTOR FROM CHAIN TO ANCHOR
7	TBD	SD-182312	1/2" STAINLESS STEEL SWIVEL SHACKLE	
8	TBD	SD-147060	7/16" GALVANIZED BOW SHACKLE	CONNECTOR FROM CHAIN TO ANCHOR
9	TBD	CW-CABK-125	CHAIN ANCHOR BUOY	
10	TBD		600 LB+ CONCRETE ANCHOR	
11	TBD		50 LB CONCRETE SHOCK ABSORBER	
12	TBD	GC-40601	3/8" GALVANIZED CHAIN	AS REQUIRED
13	TBD		1" POLY PIPE	RUN THROUGH CENTER OF WAVE EATERS AS BEARING FOR CABLE



**WaveEater  
Sawtooth System Design,  
Construction and Components**