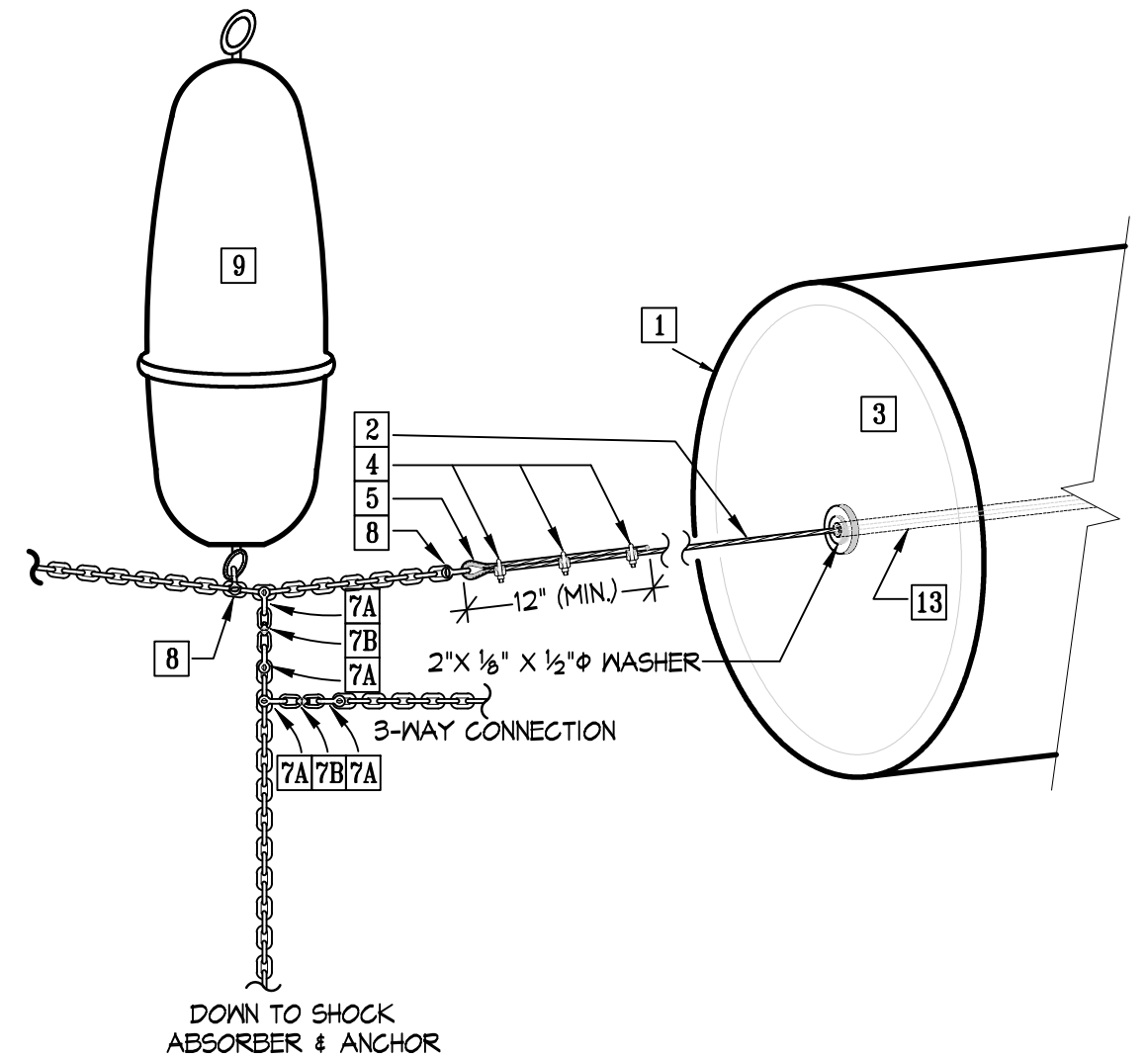
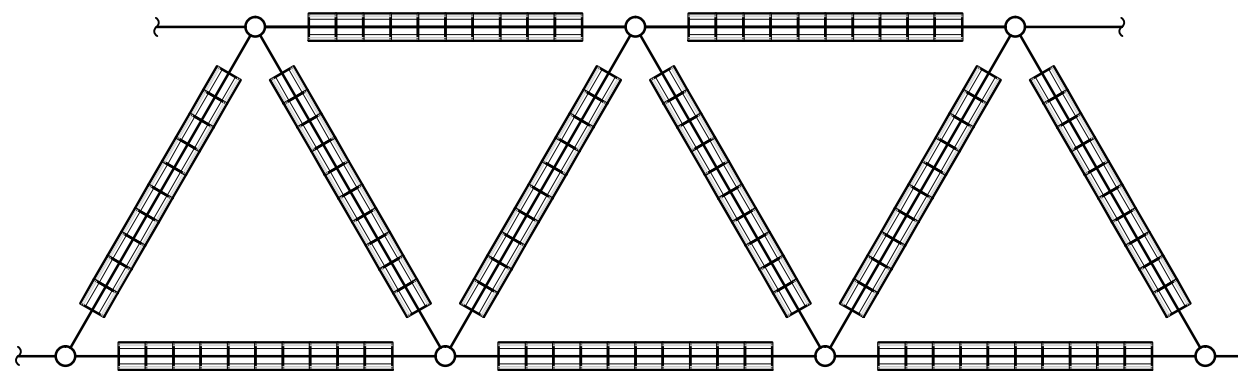


BILL OF MATERIALS

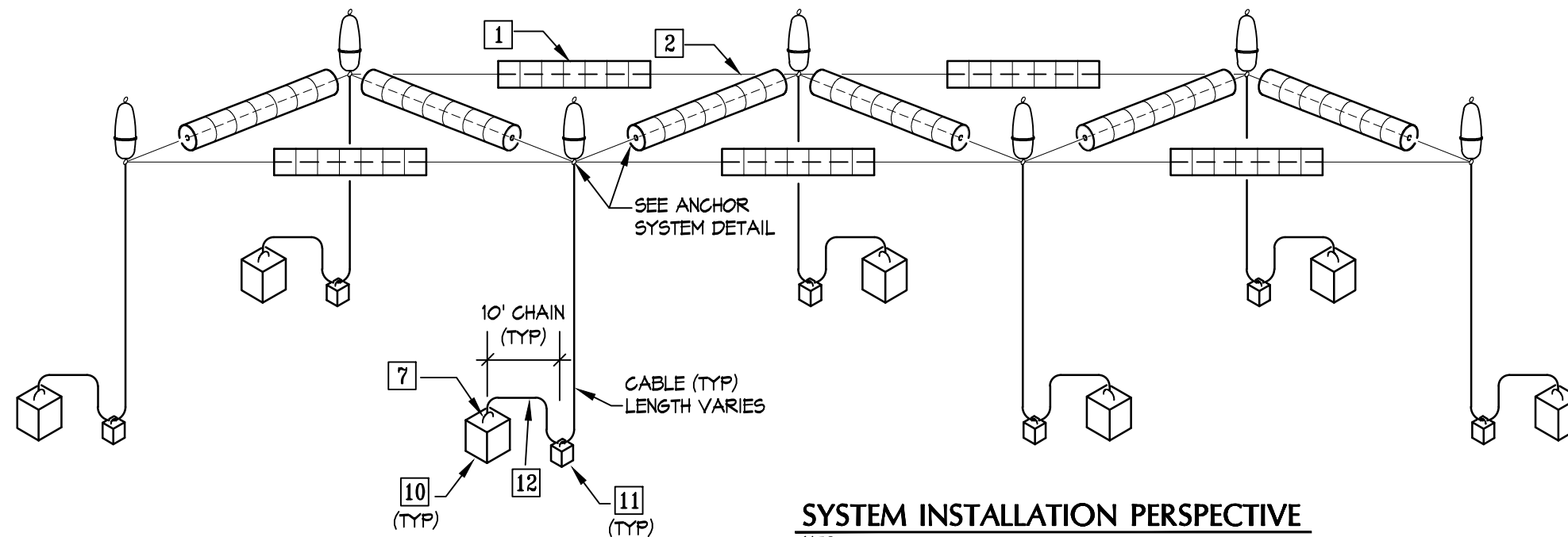
ITEM	QTY	PART #	DESCRIPTION	REMARKS
1	TBD	WE-3636	36" X 36" WAVE EATER	
2	TBD	C58CCN	1/2" - 7 X 19 NYLON JACKETED CABLE	
3	TBD	CG-0350	3.5" DELRIN SPACERS	WEAR PLATE FOR SPLICED CABLE
4	TBD	SD-158512	1/2" WIRE ROPE CLIP	USE 3 AT EVERY CABLE SPLICE; PLACE "LIVE CABLE END IN ROPE CLIP SADDLE
5	TBD	SD-170012	1/2" THIMBLE	USE 1 AT EVERY CABLE SPLICE
7A	TBD	SD-147611	7/16" ANCHOR SHACKLE	ANCHOR POINTS & 3-WAY CONNECTIONS
7B	TBD	SD-181112	1/2" EYE & EYE SWIVEL	ANCHOR POINTS & 3-WAY CONNECTIONS
8	TBD	SD-147611	7/16" SHACKLE	CONNECTOR FROM CHAIN TO ANCHOR
9	TBD	#423-0	MOORING BUOY AT ANCHOR CHAIN	WITH 13 (EA) 7/16" SHACKLES
10	AS REQD		1200 LB+ CONCRETE ANCHOR	
11	AS REQD		50 LB CONCRETE SHOCK ABSORBER	
12	1200	GC-40650	3/8" CHAIN	AS REQUIRED
13	1200		1" POLY PIPE	RUN THROUGH CENTER OF WAVE EATERS AS BEARING FOR CABLE



ANCHOR SYSTEM DETAIL
NTS



GRID SYSTEM PLAN
NTS



SYSTEM INSTALLATION PERSPECTIVE
NTS

**WaveEater
Grid System Design,
Construction and Components**