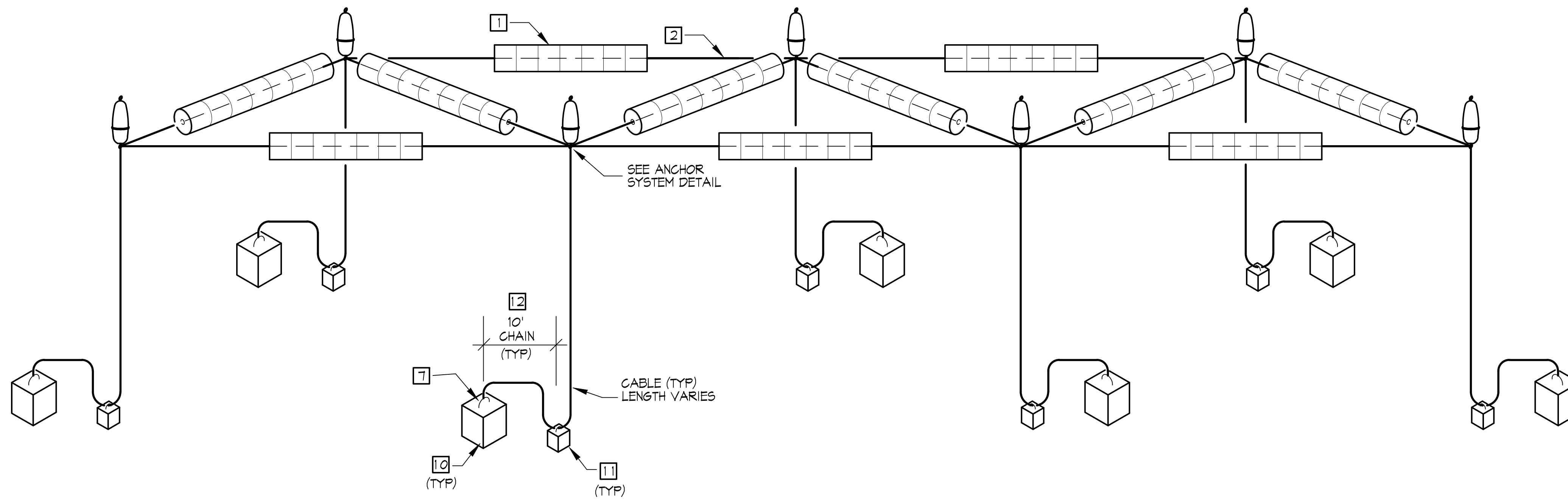


GRID SYSTEM PLAN

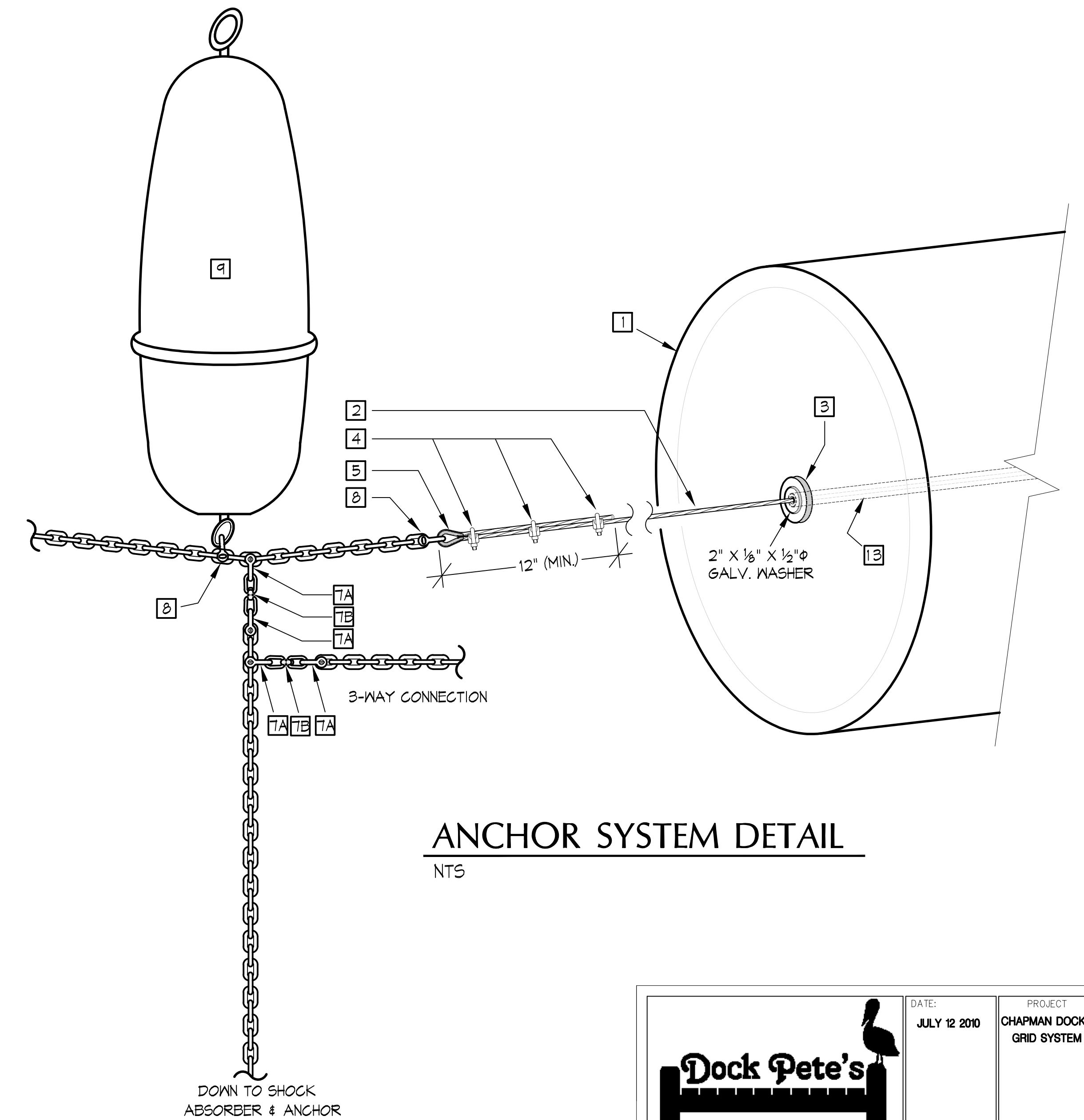
1/8" = 1'-0"



SYSTEM INSTALLATION PERSPECTIVE

NTS

BILL OF MATERIALS				
ITEM	QTY	PART #	DESCRIPTION	REMARKS
1	230	WE-3636	36" X 36" WAVE EATER	
2	1200	C58CCN	1/2" - 7' X 19' NYLON JACKETED CABLE	
3	46	CG-0350	3.5" DELRIN SPACERS	WEAR PLATE FOR SPLICED CABLE
4	138	SD-158512	1/2" WIRE ROPE CLIP	USE 3 AT EVERY CABLE SPLICE; PLACE LIVE CABLE END IN ROPE CLIP SADDLE
5	46	SD-170012	1/2" GALVANIZED THIMBLE	USE 1 AT EVERY CABLE SPLICE
7A	92	SD-147611	7/16" GALVANIZED ANCHOR SHACKLE	ANCHOR POINTS & 3-WAY CONNECTIONS
7B	46	SD-181112	1/2" GALVANIZED EYE & EYE SWIVEL	ANCHOR POINTS & 3-WAY CONNECTIONS
8	26	SD-147611	7/16" GALVANIZED SHACKLE	CONNECTOR FROM CHAIN TO ANCHOR
9	13	#423-0	MOORING BUOY AT ANCHOR CHAIN	WITH 13 (EA) 7/16" SHACKLES
10	AS REQ'D		1200 LB+ CONCRETE ANCHOR	
11	AS REQ'D		50 LB CONCRETE SHOCK ABSORBER	
12	1200	GC-40650	1/2" GALVANIZED CHAIN	AS REQUIRED
			1" POLY PIPE	RUN THROUGH CENTER OF WAVE EATERS AS BEARING FOR CABLE



ANCHOR SYSTEM DETAIL

NTS

Fort Collins, Colorado
970-282-4406

Copyright © All Rights Reserved, Dock Pete's, 2008

DATE: JULY 12 2010	PROJECT: CHAPMAN DOCKS GRID SYSTEM
SCALE: AS NOTED	DRAWING: A1
CHECKED BY: PWO	
DRAWN BY: BKT	