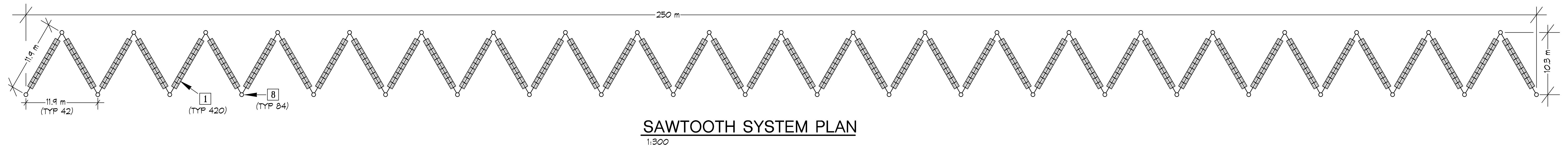
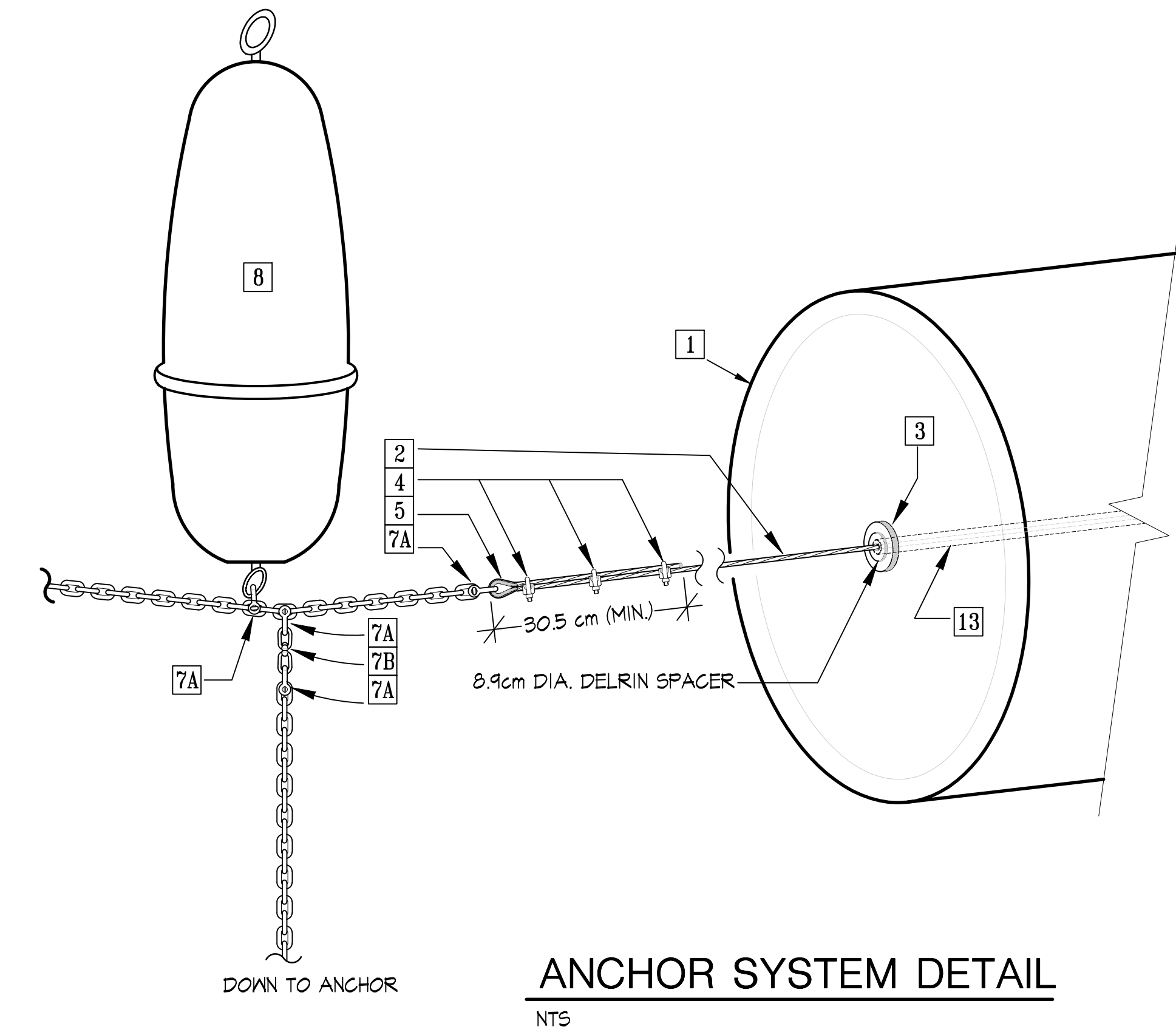
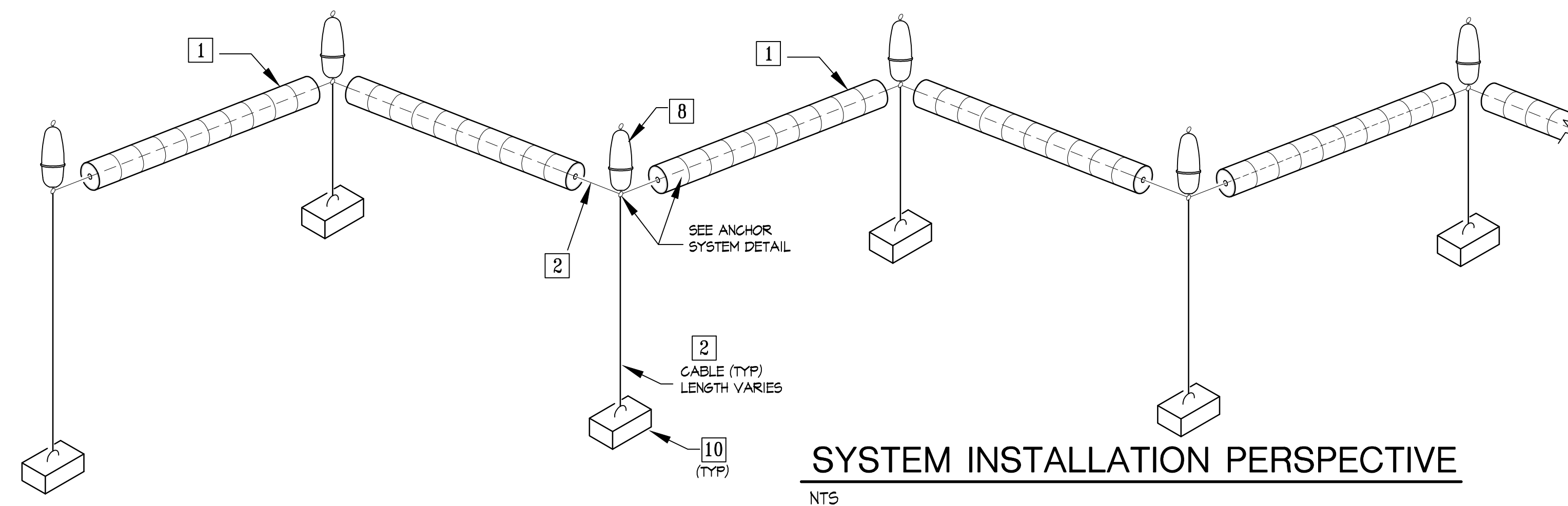


BILL OF MATERIALS				
ITEM	QTY	PART #	DESCRIPTION	REMARKS
1	420	WE-3636	36" (914 cm) X 36" (914 cm) WAVE EATER	
2	610 m	SNJC-35716	1/2" (127 mm) - 7 X 19 NYLON JACKETED CABLE	
3	84	CG-0350	3.5" (89 mm) DELRIN SPACERS	WEAR PLATE FOR SPLICED CABLE
4	260	SD-158512	1/2" (127 mm) WIRE ROPE CLIP	USE 3 AT EVERY CABLE SPLICE; PLACE "LIVE CABLE END IN ROPE CLIP SADDLE"
5	90	SD-170012	1/2" (127 mm) THIMBLE	USE 1 AT EVERY CABLE SPLICE
7A	310	SD-147212	7/16" (11 mm) ANCHOR SHACKLE	ANCHOR POINTS & 3-WAY CONNECTIONS
7B	45	SD-181112	1/2" (127 mm) EYE & EYE SWIVEL	ANCHOR POINTS & 3-WAY CONNECTIONS
8	43	JB-0123	EXCLUSION BUOY	
9	610 m		1" (25.4 mm) POLY PIPE	RUN THROUGH CENTER OF WAVE EATERS AS BEARING FOR CABLE
10	AS REQ'D		600 kg CONCRETE ANCHOR	



Eleana Orient Secopsa  
WaveEater Sawtooth System Design  
Construction and Components

November 9, 2010