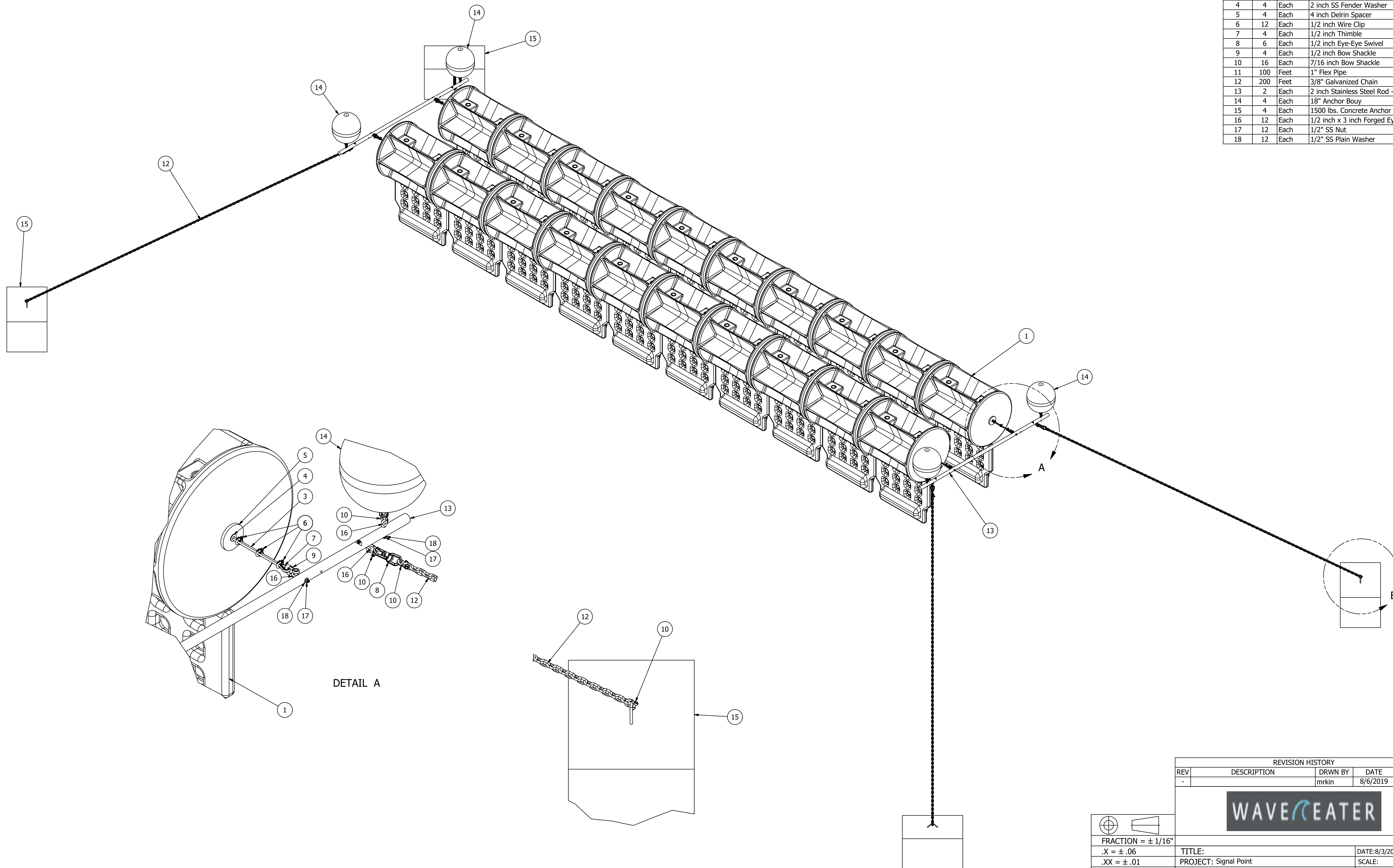


PARTS LIST				
ITEM	QTY	BASE UNIT	PART NUMBER	
1	20	Each	4870 Wave Eater - Blue	
2	2	Each	50lbs. Bag of Pea Gravel	
3	100	Feet	1/2 inch Stainless Steel Cable	
4	4	Each	2 inch SS Fender Washer	
5	4	Each	4 inch Delrin Spacer	
6	12	Each	1/2 inch Wire Clip	
7	4	Each	1/2 inch Thimble	
8	6	Each	1/2 inch Eye-Eye Swivel	
9	4	Each	1/2 inch Bow Shackle	
10	16	Each	7/16 inch Bow Shackle	
11	100	Feet	1" Flex Pipe	
12	200	Feet	3/8" Galvanized Chain	
13	2	Each	2 inch Stainless Steel Rod - 8 LF	
14	4	Each	18" Anchor Bouy	
15	4	Each	1500 lbs. Concrete Anchor	
16	12	Each	1/2 inch x 3 inch Forged Eyebolt	
17	12	Each	1/2" SS Nut	
18	12	Each	1/2" SS Plain Washer	



DETAIL A

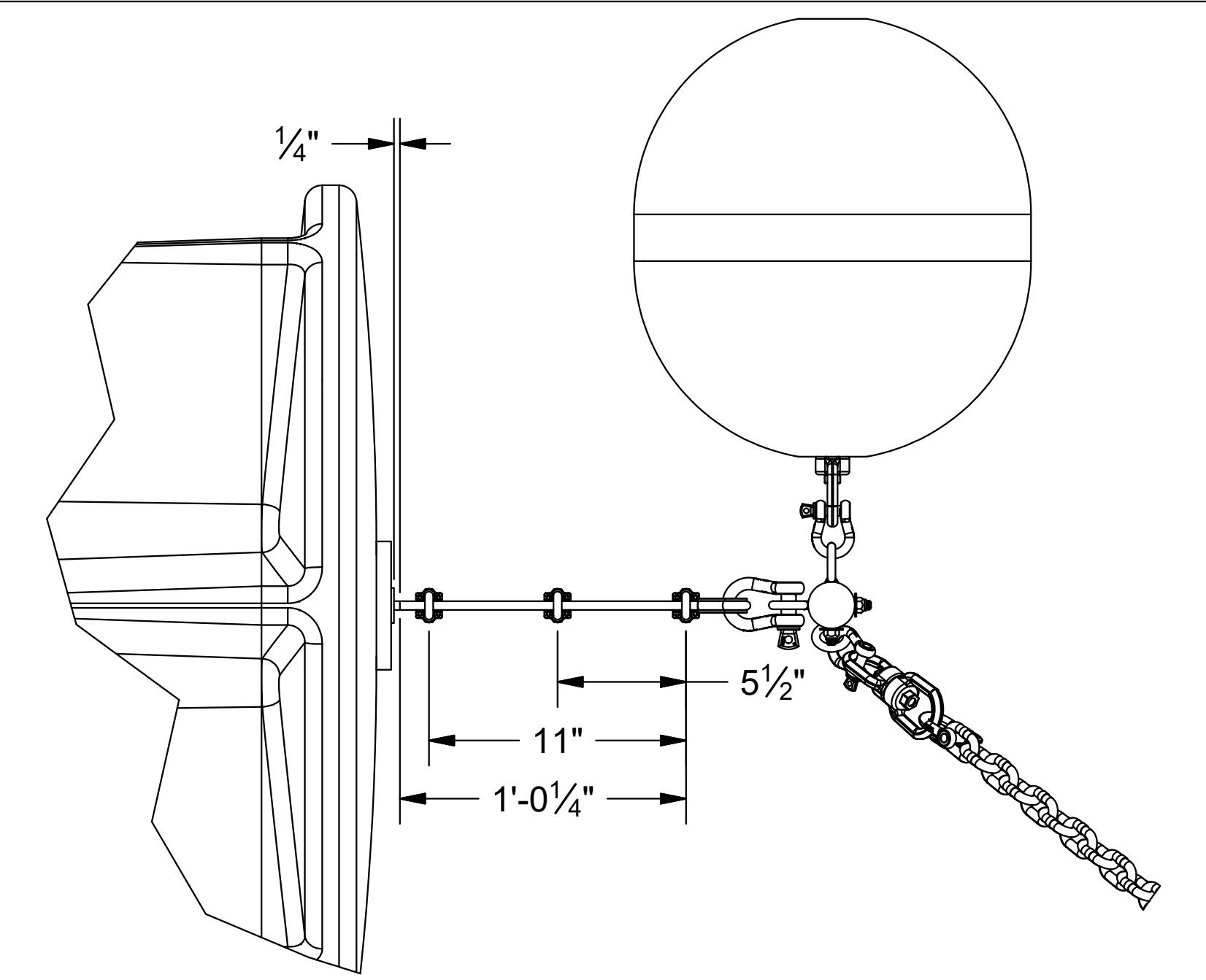
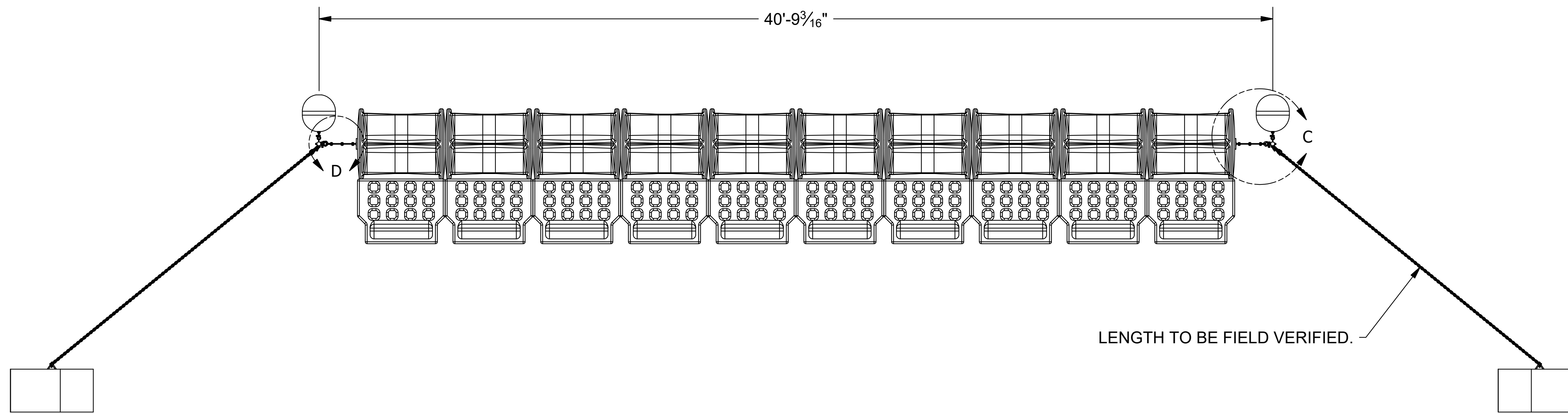
DETAIL B

REVISION HISTORY				
REV	DESCRIPTION	DRWN BY	DATE	APPROVED
-		mrkin	8/6/2019	

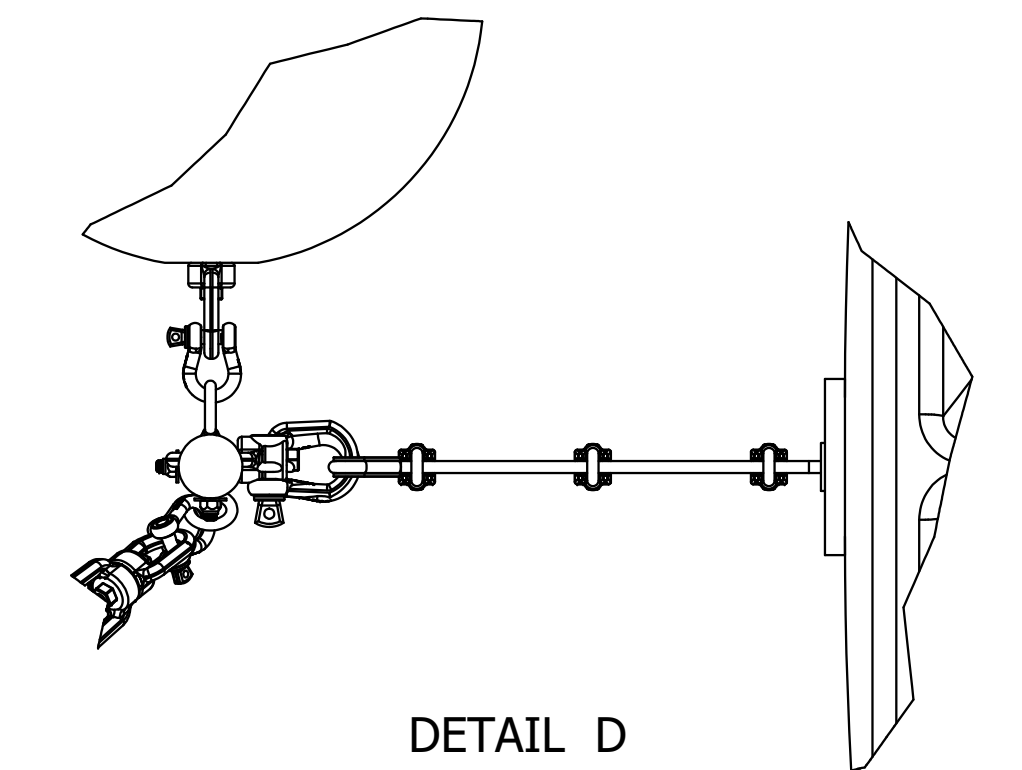
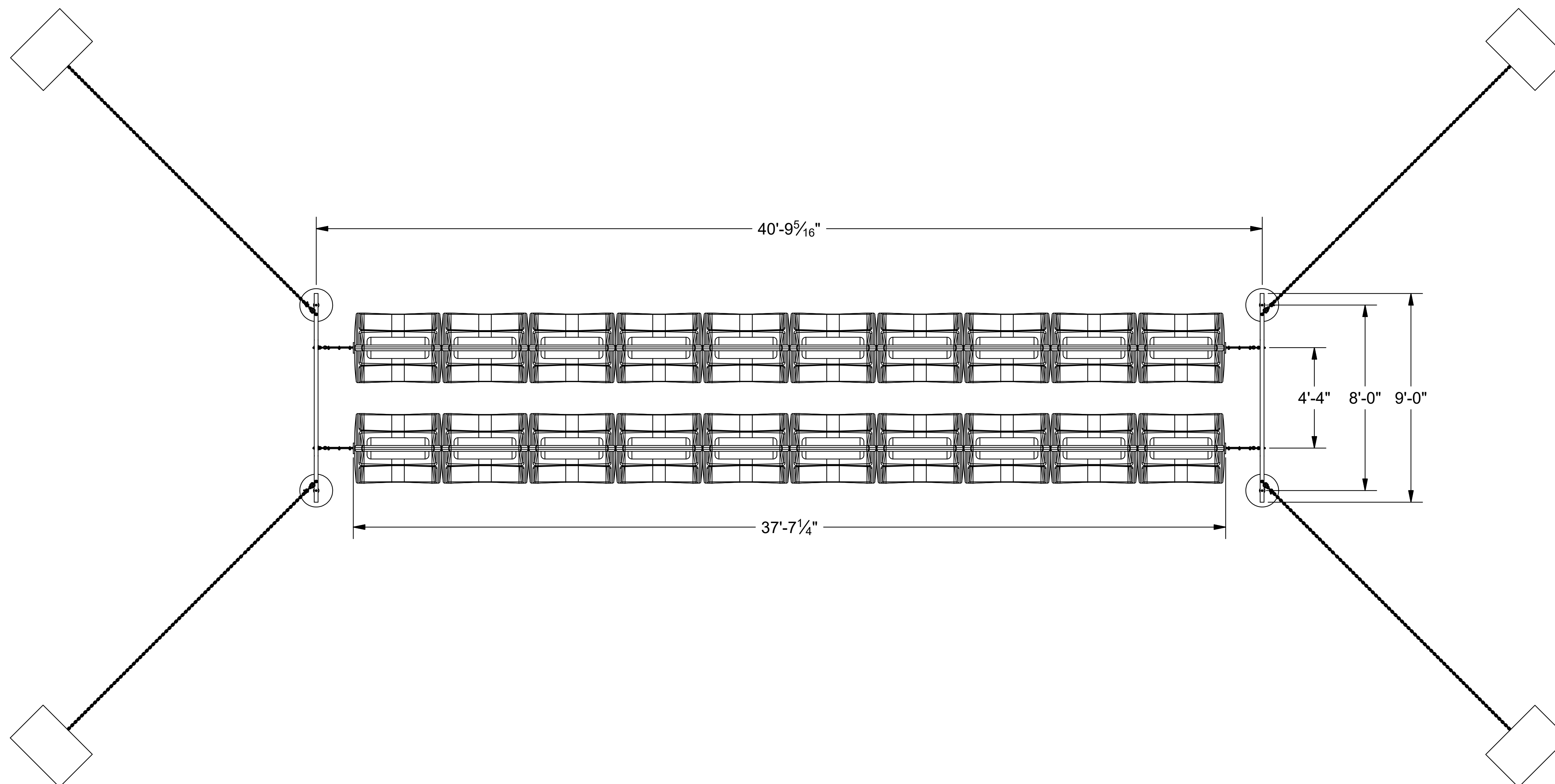


	FRACTION = ± 1/16"
	.X = ± .06
	.XX = ± .01
	.XXX = ± .005
	ANGLE = ± .5°
UNLESS NOTED OTHERWISE ALL DRAWINGS ARE IN INCHES	

TITLE:	DATE: 8/3/2022
PROJECT: Signal Point	SCALE:
CUSTOMER:	DESIGN BY: mrkin
LOCATION:	EST. LBS: N/A
JOB#	DRAWING# 1.1
WorkInProgress	-



DETAIL C



DETAIL D

	FRACTION = ± 1/16"
	.X = ± .06
	.XX = ± .01
	.XXX = ± .005
	ANGLE = ± .5°
UNLESS NOTED OTHERWISE ALL DRAWINGS ARE IN INCHES	



TITLE:	DATE: 8/3/2022
PROJECT: Signal Point	SCALE:
CUSTOMER:	DESIGN BY: mrkin
LOCATION:	EST. LBS: N/A
JOB#	DRAWING# 1.2
	WorkInProgress