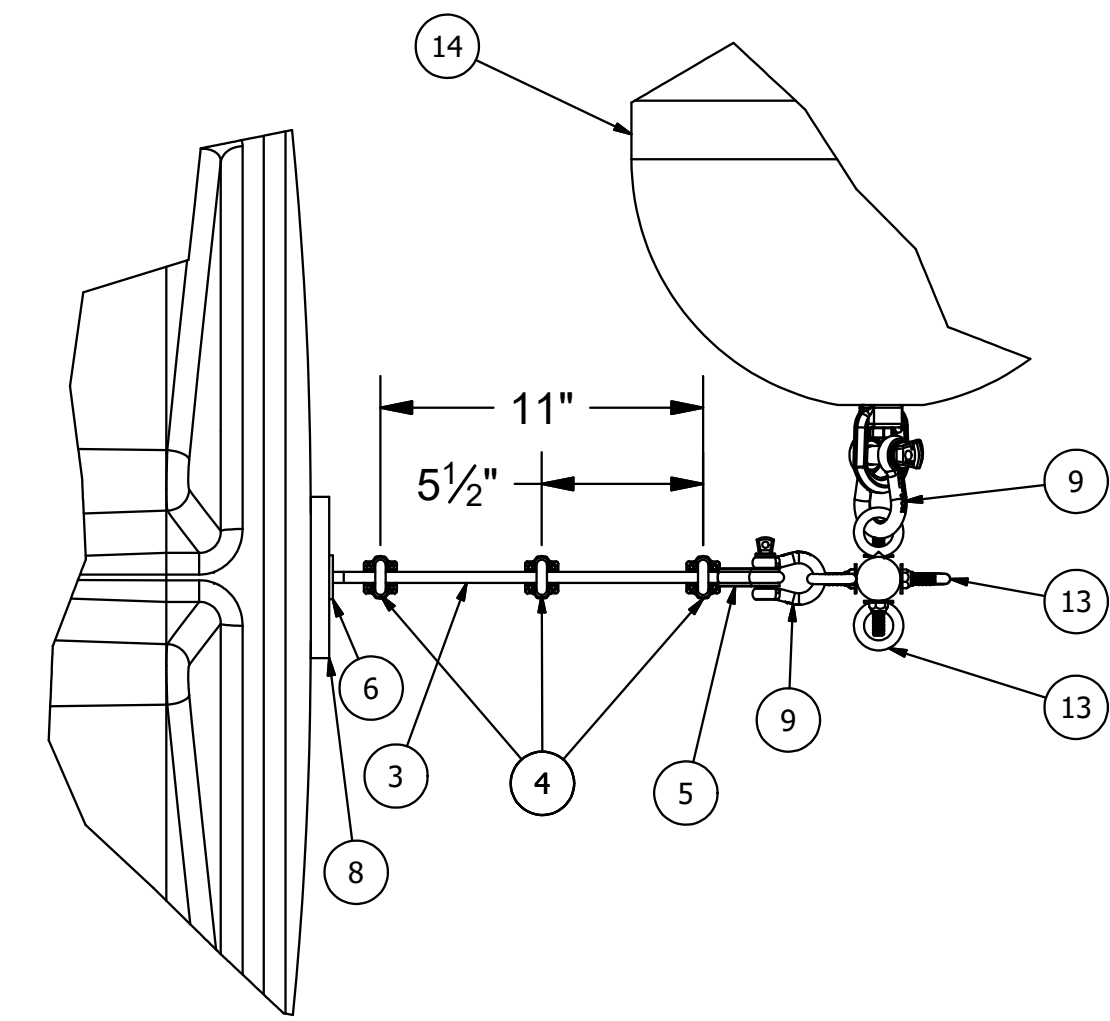
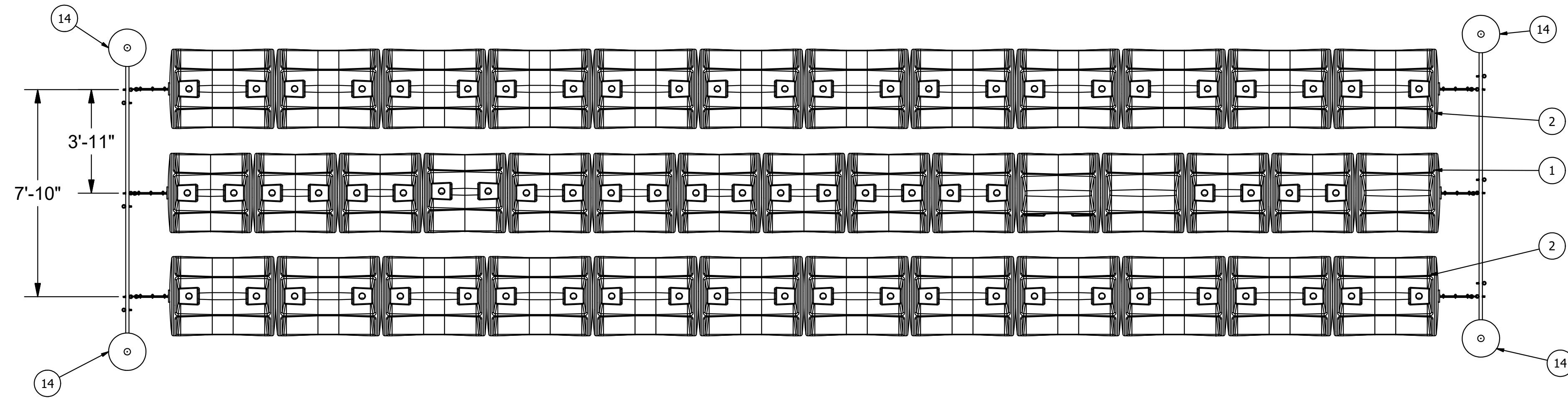
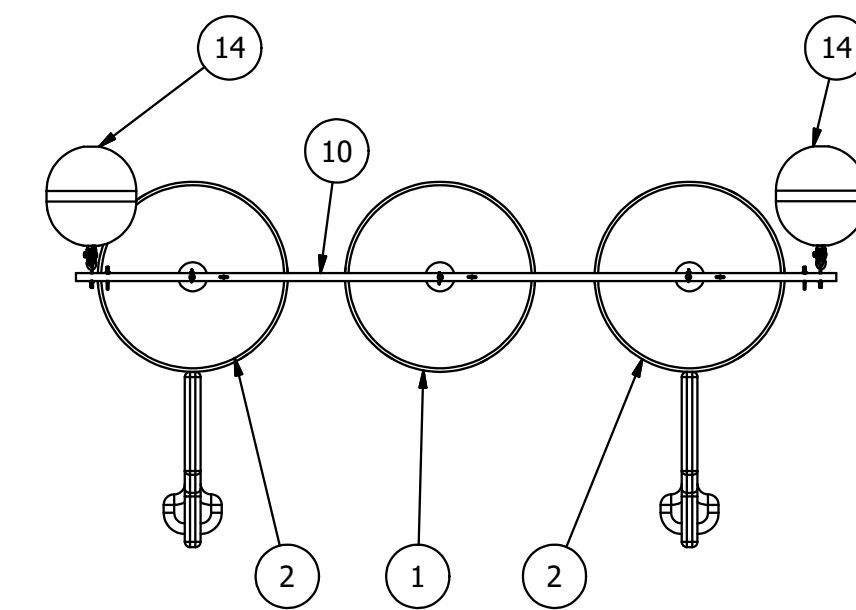
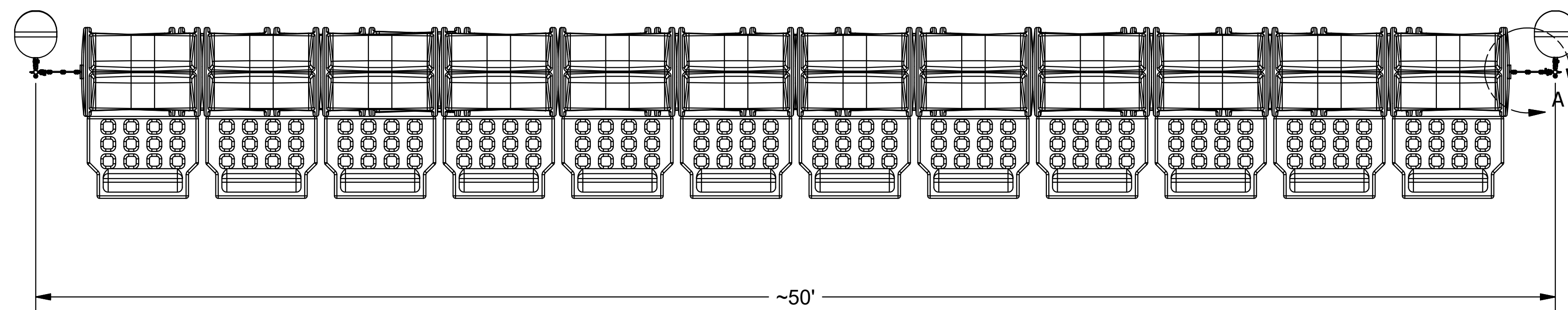


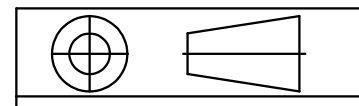
PARTS LIST				
ITEM	QTY	BASE UNIT	PART NUMBER	DESCRIPTION
1	15	Each	MODEL #3636 WAVE EATER	STEP AP214
2	24	Each	MODEL #4870 WAVE EATER	STEP AP214
3	200	FT	1/2in STAINLESS STEEL CABLE	STEP AP214
4	18	Each	1/2IN WIRE ROPE CLIP	STEP AP214
5	6	Each	1/2in THIMBLE	STEP AP214
6	6	Each	2in SS FENDER WASHER	STEP AP214
7	200	FT	1in FLEX PIPE	STEP AP214
8	6	Each	4in DELRIN SPACER	STEP AP214
9	10	Each	1/2in BOW SHACKLE	STEP AP242
10	2	Each	1.5 IN SS ROD - 12 LF	
11	20	Each	1/2in SS NUT	Prevailing Torque Type Hex Nut
12	20	Each	1/2in SS WASHER	Plain Washer (Inch )Type A and B
13	20	Each	1/2in x 3in FORGED EYEBOLT	3/8 x 1 1/4 Forged Eyebolt
14	4	Each	ANCHOR BUOY 24in	STEP AP214



DETAIL A



REVISION HISTORY				
REV	DESCRIPTION	DRWN BY	DATE	APPROVED
-		mrkin	8/6/2019	



FRACTION = ± 1/16"	TITLE: 3 String 4870 x 3636 Section 50'	DATE: 1/26/2023
.X = ± .06	PROJECT: Standard Details	SCALE:
.XX = ± .01	CUSTOMER:	DESIGN BY: mrkin
.XXX = ± .005	LOCATION:	EST. LBS: N/A
ANGLE = ± .5°	JOB#	DRAWING# 1.0
UNLESS NOTED OTHERWISE ALL DRAWINGS ARE IN INCHES		WorkInProgress -